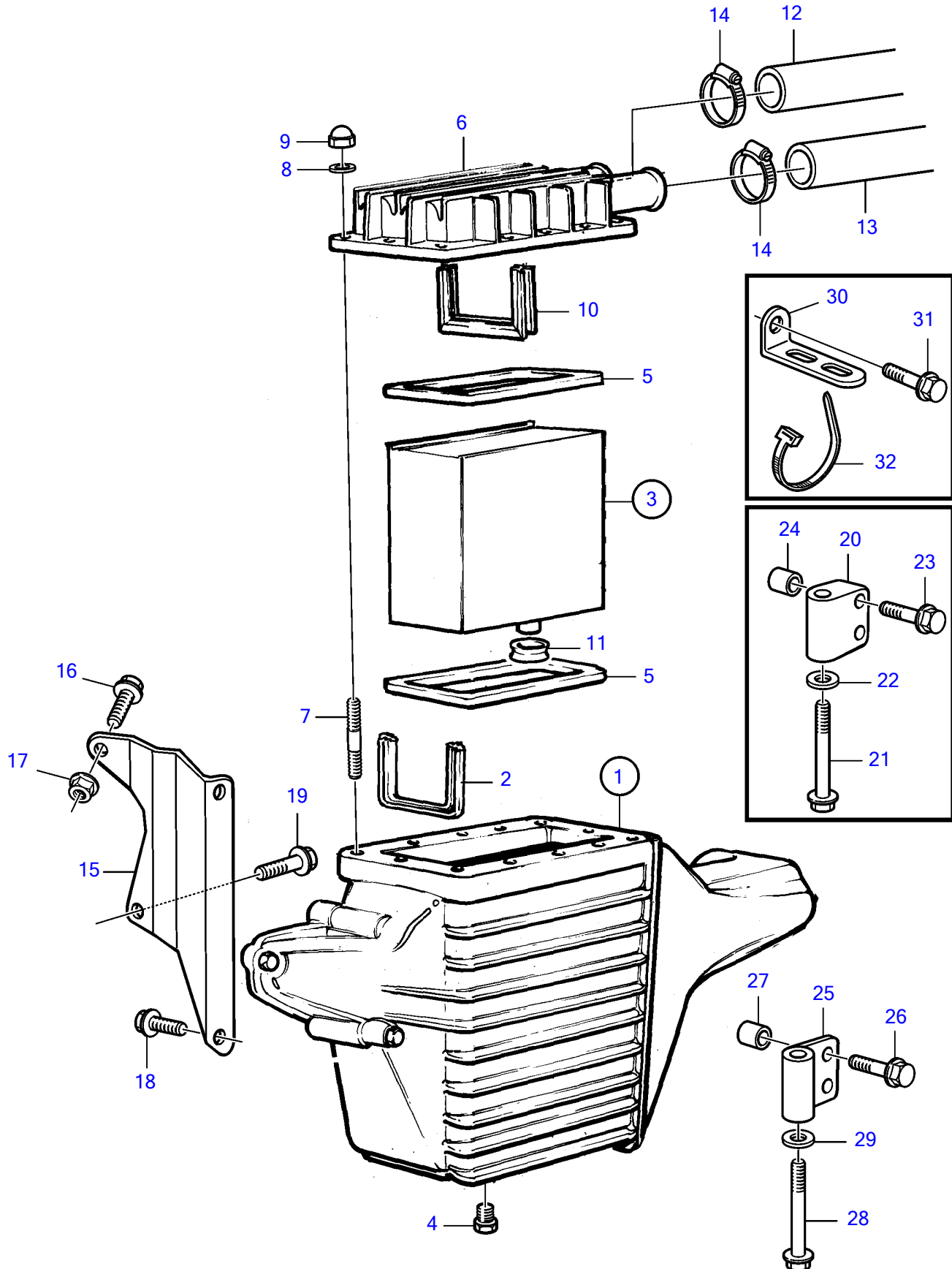


AD31P-A, TAMD31P-A



AD31P-A, TAMD31P-A

REF	PART NO.	QTY	DESCRIPTION	NOTES
1	861657	1	Housing	(861656)
2	3582639	1	• Sealing strip	
3	3582598	1	Insert	
4	861551	1	• Plug	
5	860920	2	Gasket	
6	860409	1	Cover	
7	953036	12	Stud	
8	955893	12	Washer	
9	968458	12	Flange cap nut	
10	847573	1	Sealing strip	
11	858979	1	Sealing ring	
12	860644	1	Hose	After cooler-oil cooler.
13	860645	1	Hose	Heat exchanger-after cooler.
14	943476	2	Hose clamp	
15	861644	1	Bracket	
16	946173	1	Flange screw	
17	945408	1	Flange nut	
18	946173	2	Flange screw	
19	946472	1	Flange screw	
20	861645	1	Bracket	Early type
21	965183	1	Flange screw	
22	976944	1	Washer	
23	965226	2	Flange screw	
24	843122	2	Spacer sleeve	TAMD31P
	861554	2	Spacer	AD31P
25	3580762	1	Bracket	Late type
26	965226	2	Flange screw	
27	861554	2	Spacer	AD31P
28	965183	1	Flange screw	
29	976944	1	Washer	
30	965562	1	Bracket	
31	946329	1	Flange screw	
32	948211	1	Cable tie	